

Platform lowlifter truck 2.0 - 2.5 ton

BT levio

P-series

LPE200

LPE220

LPE250



Platform lowlifter

| Specification for lowlifter trucks | | | | | LPE200 | | | LPE220 | | LPE250 |
|------------------------------------|---|---|-----------------------------|-----------------|-----------------------------------|-------------------|-------------------|-------------------|-------------------|-------------------|
| Identification | 1.1 | Manufacturer | | | Toyota | Toyota | Toyota | Toyota | Toyota | Toyota |
| | 1.2 | Model | | | LPE200 | LPE200 | LPE200 | LPE220 | LPE220 | LPE250 |
| | 1.3 | Drive | | | Electric | Electric | Electric | Electric | Electric | Electric |
| | 1.4 | Operator type | | | Stand on/pedestrian | | | | | |
| | 1.5 | Load capacity/rated load | Q | kg | 2000 | 2000 | 2000 | 2200 | 2200 | 2500 |
| | 1.6 | Load centre | c | mm | 600 | 600 | 600 | 600 | 600 | 600 |
| | 1.8 | Load distance, centre of support arm wheel to face of fork, fork raised/lowered | x | mm | 913/957* | 913/957* | 913/957* | 913/957* | 913/957* | 913/957* |
| | 1.9 | Wheelbase, fork raised/lowered | y | mm | 1362/1406* | 1362/1406* | 1362/1406* | 1410/1454* | 1410/1454* | 1410/1454* |
| | Weight | 2.1 | Service weight with battery | | kg | 718 | 718 | 718 | 826 | 826 |
| 2.2 | | Axle load, with load, drive/castor/fork wheel | | kg | 466/585/1667 | 466/585/1667 | 466/585/1667 | 679/834/1513 | 679/834/1513 | 641/911/1774 |
| 2.3 | | Axle load, without load, drive/castor/fork wheel | | kg | 284/294/140 | 284/294/140 | 284/294/140 | 389/311/126 | 389/311/126 | 389/311/126 |
| Wheels | 3.1 | Drive/castor/fork wheel | | | Vulkollan®*/Vulkollan®/Vulkollan® | | | | | |
| | 3.2 | Wheel size, front | | mm | Ø 230x70 | Ø 230x70 | Ø 250x75 | Ø 230x70 | Ø 250x75 | Ø 250x75* |
| | 3.3 | Wheel size, rear | | mm | Ø 85x95 | Ø 85x95 | Ø 85x95 | Ø 85x95 | Ø 85x95 | Ø 85x95 |
| | 3.4 | Additional wheels (dimensions) | | mm | Ø 125x50* | Ø 125x50* | Ø 125x50* | Ø 125x50* | Ø 125x50* | Ø 150x54* |
| | 3.5 | Wheels, number front/rear (x = driven wheels) | | | 1x+ 2/2 or 4 | 1x+ 2/2 or 4 | 1x+ 2/2 or 4 | 1x+ 2/2 or 4 | 1x+ 2/2 or 4 | 1x+ 2/2 or 4 |
| | 3.6 | Track width, front | b ₁₀ | mm | 500 | 500 | 500 | 500 | 500 | 500 |
| | 3.7 | Track width, rear | b ₁₁ | mm | 370 | 370 | 370 | 370 | 370 | 370 |
| Dimensions | 4.4 | Lift | | h ₃ | mm | 120 ¹⁾ | 120 ¹⁾ | 120 ¹⁾ | 120 ¹⁾ | 120 ¹⁾ |
| | | Lift height | | h ₂₃ | mm | 205 ¹⁾ | 205 ¹⁾ | 205 ¹⁾ | 205 ¹⁾ | 205 ¹⁾ |
| | 4.8 | Stand height | | h ₇ | mm | 190 | 190 | 190 | 190 | 190 |
| | 4.9 | Height of tiller in drive position, min./max. | | | | | | | | |
| | | Manual steering | | h ₁₄ | mm | 1100/1413 | 1100/1413 | 1100/1413 | 1100/1413 | 1100/1413 |
| | | Power steering, highest setting | | h ₁₄ | mm | 1201/1413 | 1201/1413 | 1201/1413 | 1201/1413 | 1201/1413 |
| | | Power steering, lowest setting | | h ₁₄ | mm | 1101/1313 | 1101/1313 | 1101/1313 | 1101/1313 | 1101/1313 |
| | 4.15 | Height, fork lowered | | h ₁₃ | mm | 85 | 85 | 85 | 85 | 85 |
| | 4.19 | Overall length | | l ₁ | mm | 1816* | 1816* | 1816* | 1864* | 1864* |
| | 4.20 | Length to face of forks | | l ₂ | mm | 666* | 666* | 666* | 714* | 714* |
| | 4.21 | Overall width | | b ₁ | mm | 730 | 730 | 730 | 730 | 730 |
| | 4.22 | Fork dimensions | | s/e/l | mm | 78/180/1150* | 78/180/1150* | 78/180/1150* | 78/180/1150* | 78/180/1150* |
| | 4.25 | Width over forks | | b ₅ | mm | 550* | 550* | 550* | 550* | 550* |
| | 4.32 | Ground clearance, centre of wheelbase | | m ₁ | mm | 30 | 30 | 30 | 30 | 30 |
| 4.33 | Aisle width for pallets 1000x1200 crossways | | A _{st} | mm | 2430* | 2430* | 2430* | 2477* | 2477* | |
| 4.34 | Aisle width for pallets 800x1200 lengthways | | A _{st} | mm | 2277* | 2277* | 2277* | 2324* | 2324* | |
| 4.35 | Turning radius, fork raised | | W _a | mm | 1585* | 1585* | 1585* | 1632* | 1632* | |
| Performance data | 5.1 | Travel speed, with/without load | | | | | | | | |
| | | Manual steering | | km/h | 6,0/6,0 | 8,0/8,0 | 8,0/10,0 | 7,5/8,0 | 7,5/10,0 | 7,0/12,5 |
| | | Power steering | | km/h | 6,0/6,0 | 8,0/8,0 | 9,0/10,0 | 8,0/8,0/8 | 9,0/10,0 | 11,0/12,5 |
| | 5.2 | Lift speed, with/without load | | m/s | 0,05/0,08 | 0,05/0,08 | 0,05/0,08 | 0,05/0,07 | 0,05/0,07 | 0,05/0,07 |
| | 5.3 | Lowering speed, with/without load | | m/s | 0,11/0,09 | 0,11/0,09 | 0,11/0,09 | 0,11/0,08 | 0,11/0,08 | 0,09/0,09 |
| | 5.8 | Max. gradeability, with/without load ²⁾ | | % | 8/18 | 8/18 | 8/18 | 8/18 | 8/18 | 8/18 |
| 5.9 | Acceleration time (over 10 m) | | s | 5,7 | 5,7 | 5,7 | 5,0 | 5,0 | 4,7 | |
| 5.10 | Service brake | | | | Electromagnetic | | | | | |
| Electric motor | 6.1 | Drive motor rating S2 60 min | | kW | 1,8 | 2,5 | 2,5 | 2,5 | 2,5 | 2,8 |
| | 6.2 | Lift motor rating at S3 10% | | kW | 2,2 | 2,2 | 2,2 | 2,2 | 2,2 | 2,2 |
| | 6.4 | Battery voltage/nominal capacity K _s | | V/Ah | 24/300* | 24/300* | 24/300* | 24/400* | 24/400* | 24/400* |
| | 6.5 | Battery weight | | kg | 241 | 241 | 241 | 305 | 305 | 305 |
| | 6.6 | Energy consumption acc. to VDI cycle | | kWh/h | | 0,46 | | | 0,52 | 0,55 |
| | 8.1 | Type of drive control | | | | Variable AC | Variable AC | Variable AC | Variable AC | Variable AC |

1) +20 mm for roll container handling.

2) Measured according to company standard.

*) Further alternatives are available and will produce other values.

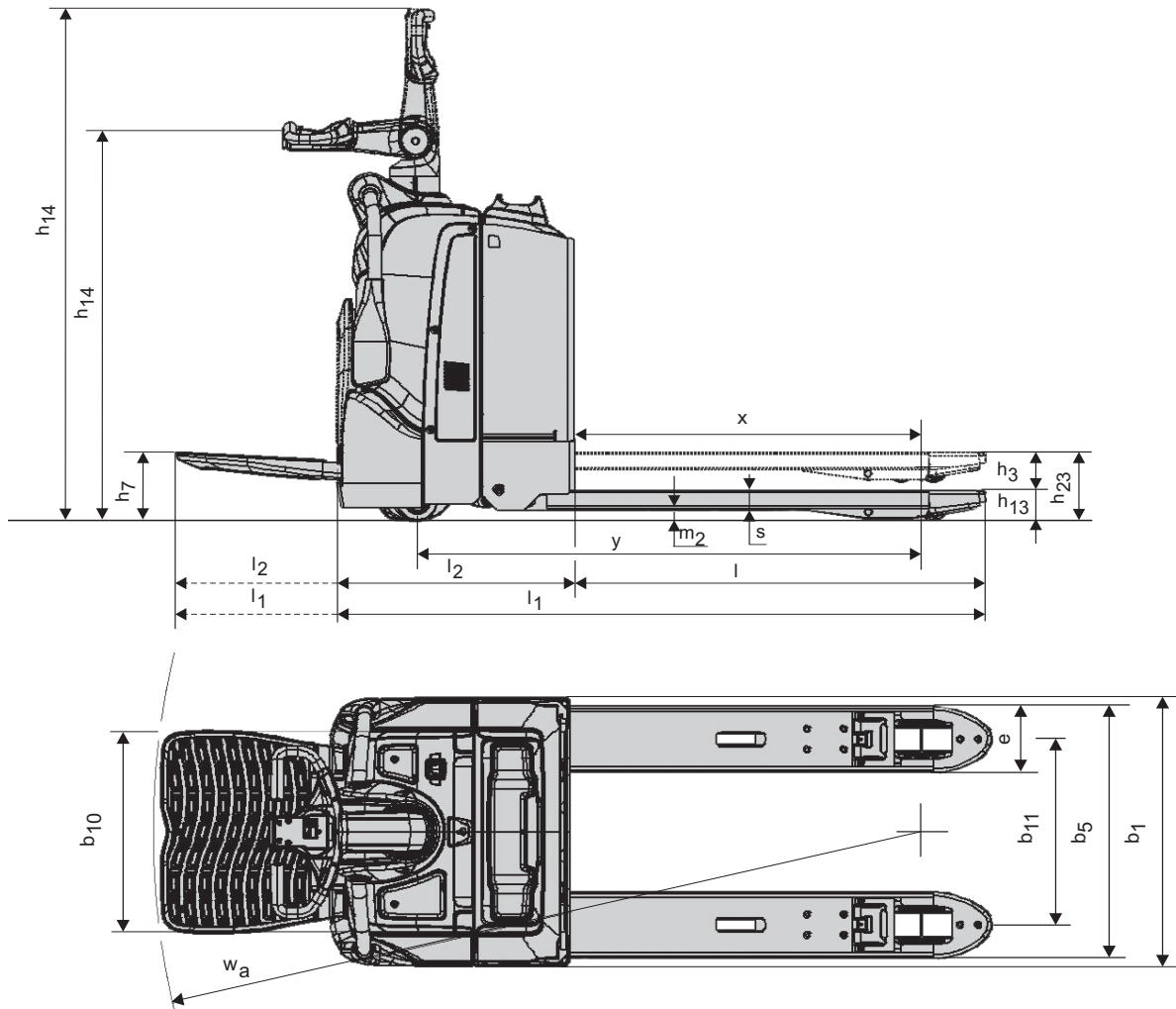
All data are based on table configuration. Other configurations may give other values.

Truck performance and dimensions are nominal and subject to tolerances.

Toyota Material Handling Manufacturing Sweden AB products and specifications are subject to change without notice.

Battery dependent dimensions

| Dimensions | | Battery change | | Lift out | | | Sideways | | | Li-ion | |
|------------|---|----------------|------|------------|-----------|------------|------------|-----------|------------|------------|-----------|
| | | Compartment | | Small | Medium | Large/DIN | Small | Medium | Large/DIN | Small | Medium |
| 1.9 | Wheelbase, fork raised/lowered | y | mm | 1406/1362 | 1454/1410 | 1551/1507 | 1466/1422 | 1514/1470 | 1608/1564 | 1406/1362 | 1454/1410 |
| 4.19 | Overall length | | | | | | | | | | |
| | with platform up/down | l_1 | mm | 1816/2266 | 1864/2314 | 1961/2411 | 1876/2326 | 1924/2374 | 2021/2471 | 1816/2266 | 1864/2314 |
| | with backrest | l_1 | mm | 2440 | 2488 | 2585 | 2500 | 2548 | 2645 | 2440 | 2488 |
| | with fixed side protection | l_1 | mm | 2276 | 2324 | 2420 | 2336 | 2384 | 2480 | 2276 | 2324 |
| 4.20 | Length to face of forks | | | | | | | | | | |
| | with platform up/down | l_2 | mm | 666/1116 | 714/1164 | 811/1261 | 726/1176 | 774/1224 | 871/1321 | 666/1116 | 714/1164 |
| | with backrest | l_2 | mm | 1290 | 1338 | 1435 | 1350 | 1398 | 1495 | 1290 | 1338 |
| | with fixed side protection | l_2 | mm | 1126 | 1174 | 1270 | 1186 | 1234 | 1330 | 1126 | 1174 |
| 4.33 | Aisle width for pallets 1000x1200 crossways | | | | | | | | | | |
| | with platform up/down | A_{st} | mm | 2430/2894 | 2477/2942 | 2572/3038 | 2489/2953 | 2536/3001 | 2631/3097 | 2430/2894 | 2477/2942 |
| | with backrest | A_{st} | mm | 3066 | 3114 | 3210 | 3126 | 3174 | 3270 | 3066 | 3114 |
| | with fixed side protection | A_{st} | mm | 2904 | 2951 | 3047 | 2963 | 3011 | 3106 | 2904 | 2951 |
| 4.34 | Aisle width for pallets 800x1200 lengthways | | | | | | | | | | |
| | with platform up/down | A_{st} | mm | 2277/2741 | 2324/2789 | 2419/2885 | 2336/2801 | 2383/2848 | 2478/2944 | 2277/2741 | 2324/2789 |
| | with backrest | A_{st} | mm | 2914 | 2961 | 3058 | 2973 | 3021 | 3117 | 2914 | 2961 |
| | with fixed side protection | A_{st} | mm | 2751 | 2799 | 2894 | 2811 | 2858 | 2953 | 2751 | 2799 |
| 4.35 | Turning radius, fork raised | | | | | | | | | | |
| | with platform up/down | W_a | mm | 1585/2049 | 1632/2096 | 1727/2193 | 1644/2108 | 1691/2156 | 1786/2252 | 1585/2049 | 1632/2096 |
| | with backrest | W_a | mm | 2221 | 2269 | 2365 | 2281 | 2329 | 2425 | 2221 | 2269 |
| | with fixed side protection | W_a | mm | 2059 | 2106 | 2202 | 2118 | 2166 | 2261 | 2059 | 2106 |
| 6.4 | Battery voltage, nominal capacity K_3 | | V/Ah | 24/225-300 | 24/400 | 24/375-600 | 24/225-300 | 24/400 | 24/375-600 | 24/100-150 | 24/200 |
| 6.5 | Battery weight | | kg | 175-285 | 265-350 | 345-485 | 175-285 | 265-350 | 345-485 | 126/90 | 90/102 |



Truck features:

- BT Powertrak traction system
- Fingertip controls
- Information display
- Electronic braking system
- Electronic regenerative brakes
- Driver detection system
- Sideways battery change

